

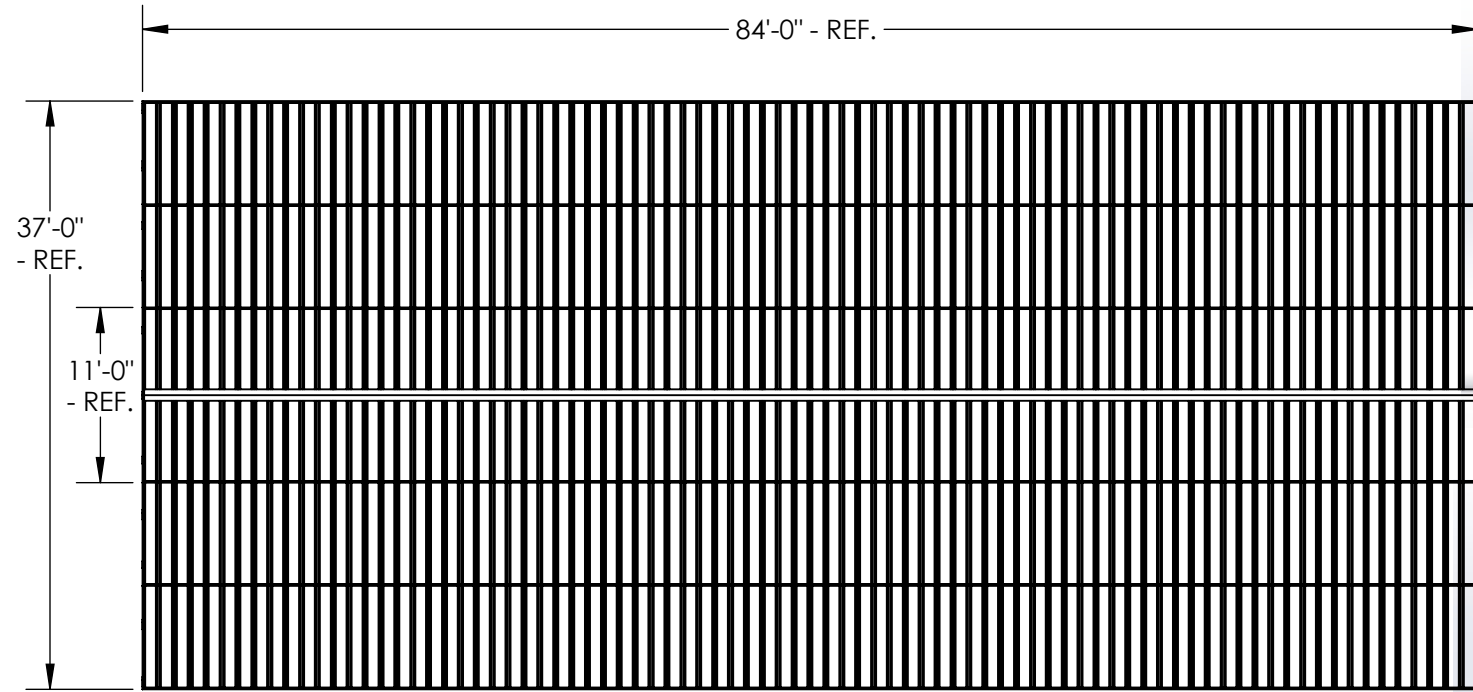
THIS IS A CONCEPT DRAWING, DIMENSIONS SHOWN ARE REPRESENTATIVE. TO ADAPT THIS CONCEPT TO MEET PROJECT SPECIFIC DESIGN REQUIREMENTS, FORWARD YOUR REQUEST TO POLIGON CUSTOMER SERVICE.



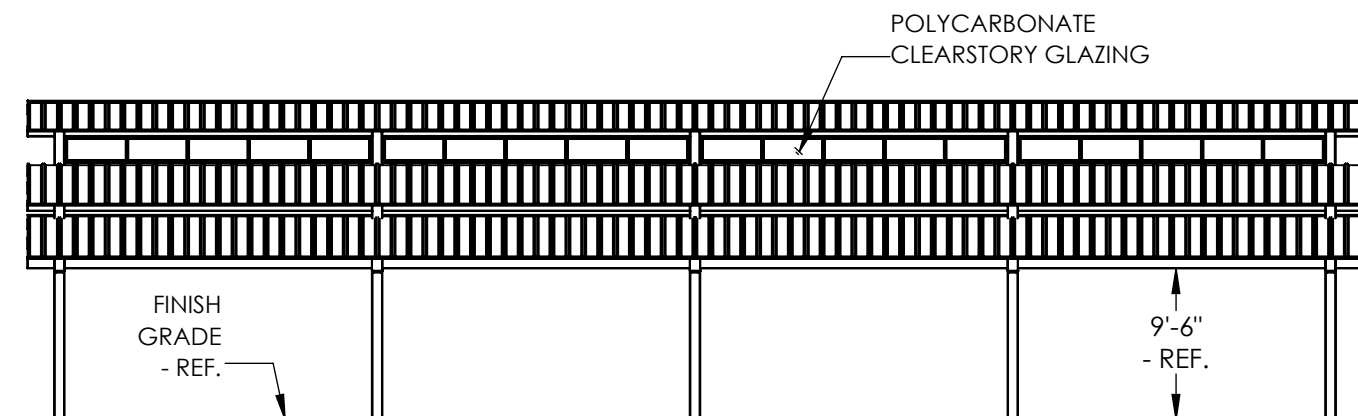
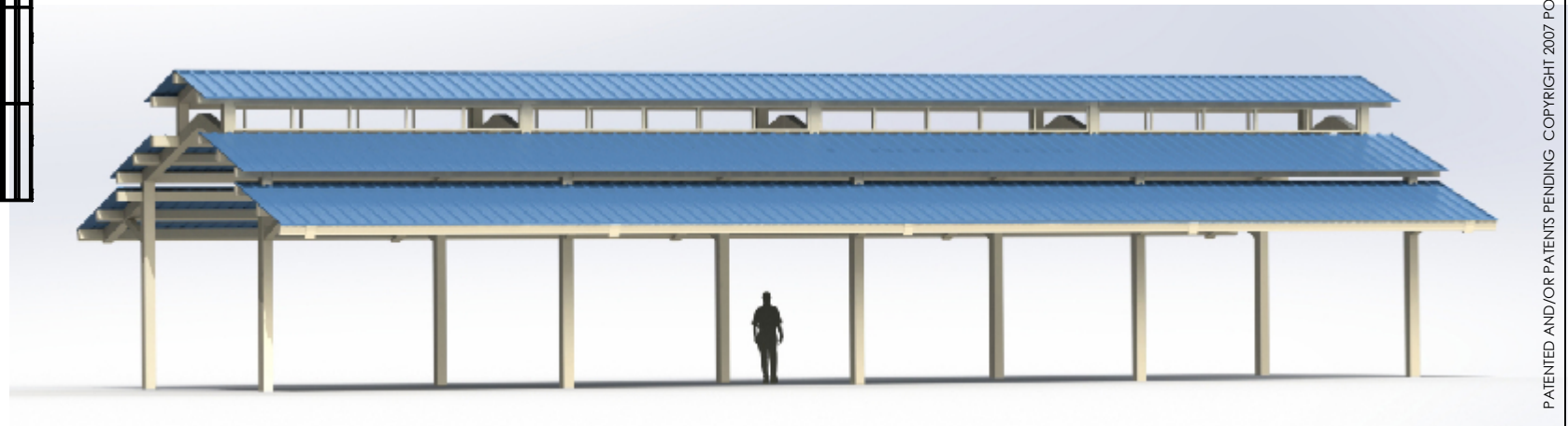
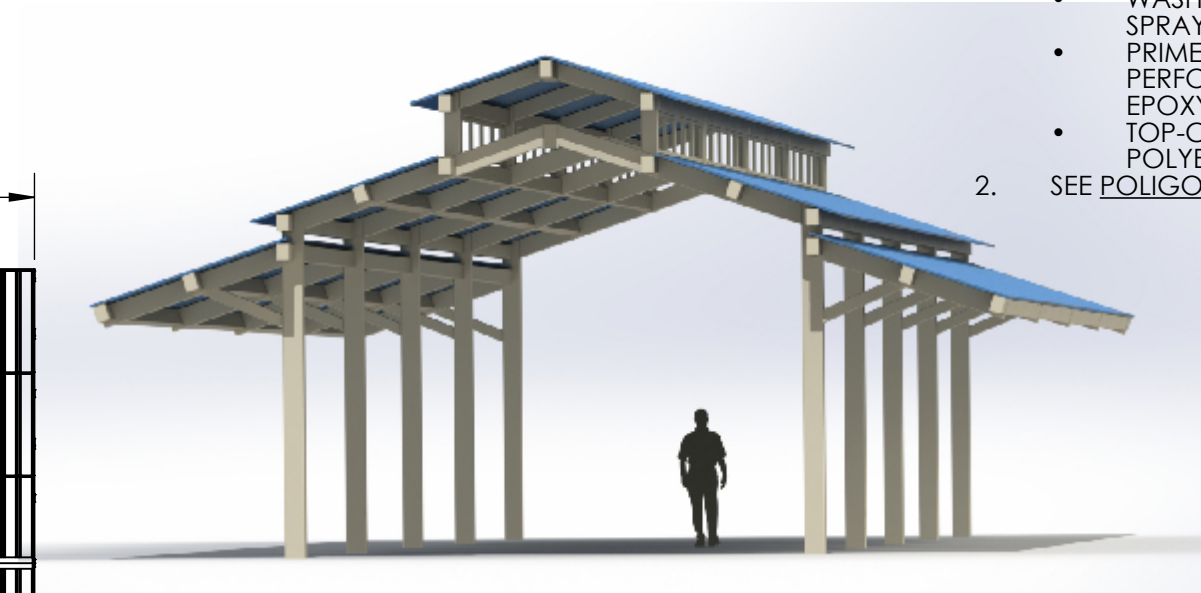
PORTERCORP HAS EARNED A **PCI-4000 CERTIFICATION** FROM THE GLOBALLY RECOGNIZED POWDER COATING INSTITUTE (PCI). QUALITY FINISHING IS CRUCIAL TO THE LONG TERM PERFORMANCE OF SHELTER STRUCTURES. THIS CERTIFICATION UNDERSCORES THE COMMITMENT PORTERCORP HAS MADE TO MANUFACTURING QUALITY PRODUCTS.

GENERAL FRAME NOTES:

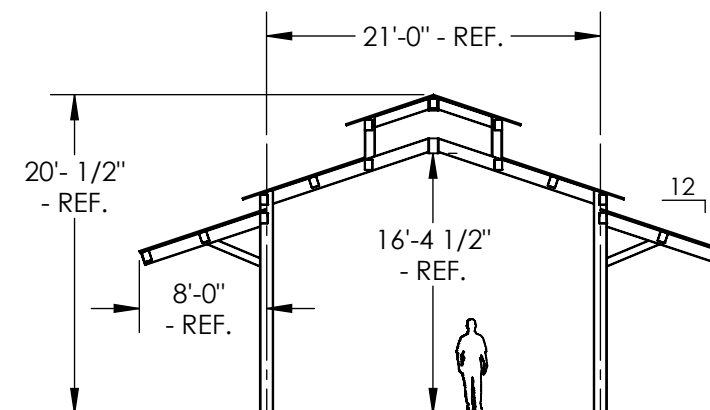
- ALL STEEL COMPONENTS (STRUCTURAL MEMBERS, ORNAMENTATION, RAILING, ETC.) ARE POWDER COATED IN THE FOLLOWING MANNER (UNLESS REQUESTED OTHERWISE):
 - SHOT BLASTED TO NEAR WHITE CONDITION (SSPC SP-10)
 - WASHED AND SEALED IN A PHOSPHATE SPRAY
 - PRIME-COATED WITH POLI-5000 HIGH PERFORMANCE POWDER APPLIED EPOXY
 - TOP-COATED WITH SUPER-DURABLE TGIC POLYESTER POWDER AND OVEN CURED
- SEE POLIGON.COM FOR COLOR OPTIONS



TOP VIEW



END VIEW



END VIEW

SHELTER MODEL:

**DB120: 37'X84' MG
FARMERS MARKET COLLECTION**



www.poligon.com

616-399-1963

PORTERCORP, 4240 N. 136th AVE,
HOLLAND, MI 49424

